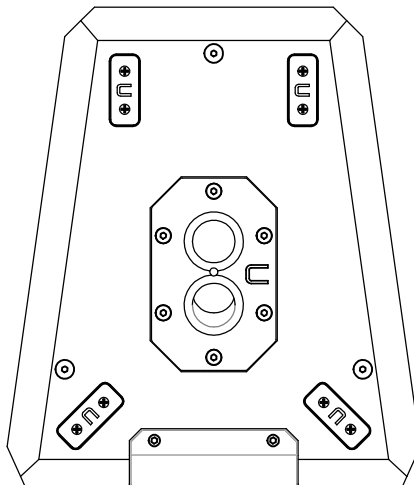
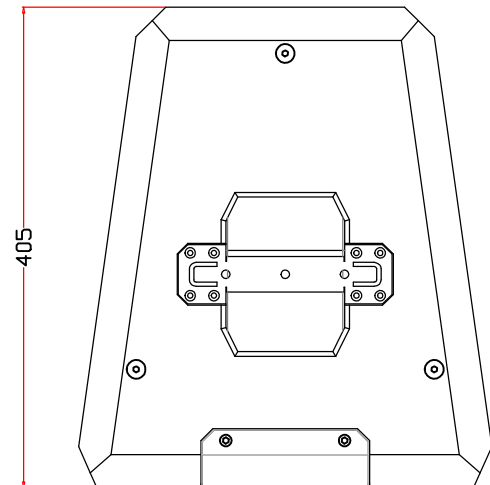
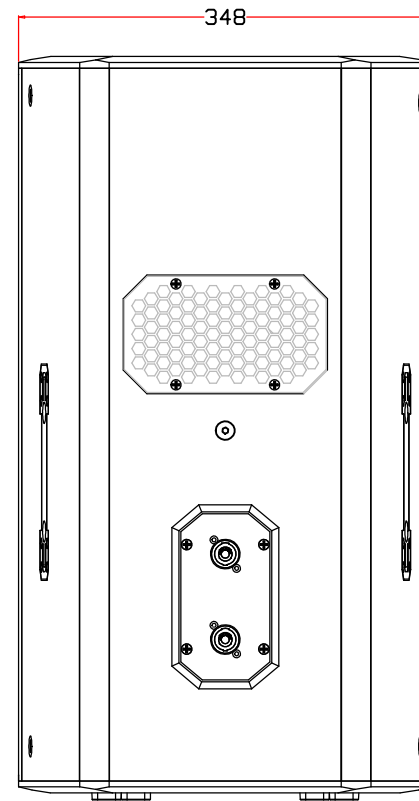
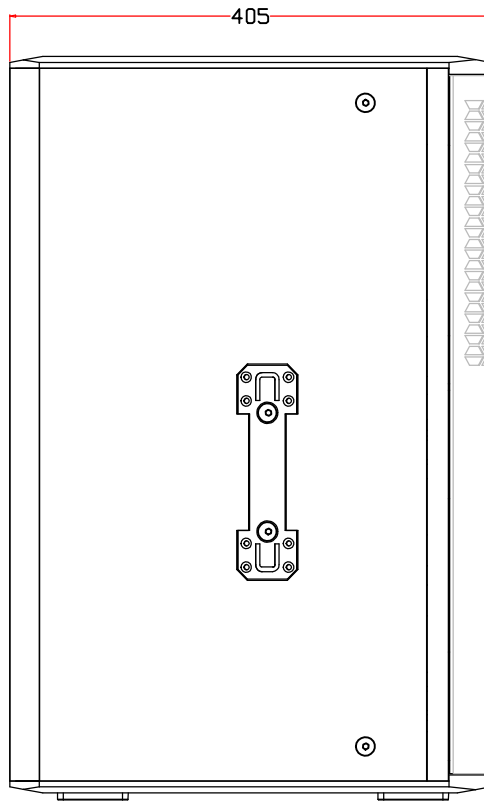
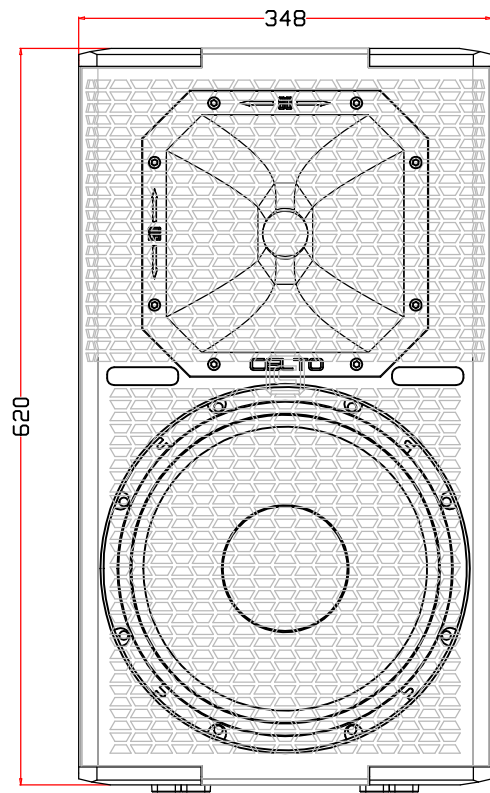


A
0



MODEL	PM12	PN	1010255	UNIT	MM	OF
PART NAME	WOOD CABINET	APPROVED		THIRD ANGLE PROJECTION		
MATERIAL	BIRCH PLY WOOD	DATE	20150124			
SCALE	1:1					
DRAWER	ARTHUR					